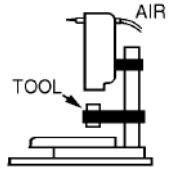


Air Impact Hammer



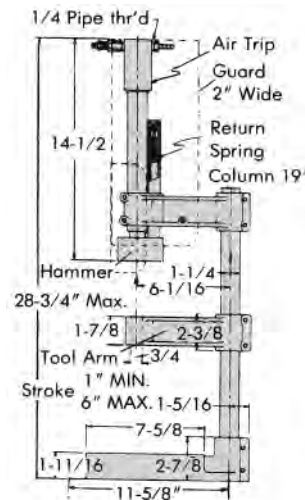
AH-65 delivers a consistent, uniform blow. It is designed to accelerate, then strike a tool which may be guided by the supplied tool arm. A spring returns the hammer to the start position after the work is completed. The head must be free with no fixturing or tooling attached directly to it.



The air hammer's impact force may be adjusted from a few ounces to 4,500 lbs. by raising or lowering the air hammer, adjusting the air trip needle valve, or adjusting the air pressure. The air trip mechanism releases the hammer head when the air in the chamber reaches a pre-set level. The hammer head accelerates to the end of its stroke, with a longer stroke (6" maximum) creating greater velocity and greater impact.

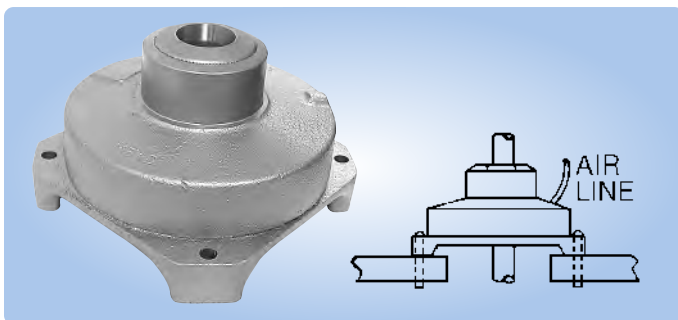
All Controls Included

AH-65 is supplied with a CSV-102 two-hand control unit. The CSV-102 requires the operator to use two hands concurrently and also provides the power valve to run the hammer. See pg. 63.



Note: Width is 4 11/16"
Pressure Range: 25-175 PSI

Collet Fixtures

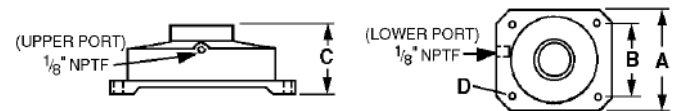


Use collet fixtures to evenly and firmly grip round bars during drilling, machining, positioning, or assembling tasks...without marring the surface of the bars.

Workpieces may pass through the fixture. Model PCF accepts standard 3C collets. Model LS-1 accepts standard 5C collets. A collet wrench is supplied to simplify collet installation and removal. Mead does not offer collets.

Double-acting collet fixtures must be actuated by a four-way valve. Model PCF will prevent a round, smooth bar from turning at up to 10 ft. lbs. of applied torque; model LS-1 at up to 40 ft. lbs. at 100 PSI.

Dimensions & Specifications



| Model No. | Applied Holding Pressure @ 100 PSI; Max. 120 PSI | Collet Type | Round Stock Capacity | A (Sq.) | B (Sq.) | C | D (4) |
|-----------|--|-------------|----------------------|---------|---------|---------|-------|
| PCF | 3,400 lbs. | 3C | 1/2" | 4 7/8" | 4" | 3 7/16" | .257" |
| LS-1 | 7,100 lbs. | 5C | 1" | 7" | 5 7/16" | 4 9/16" | .390" |