



Offers A Wide Range Of Power

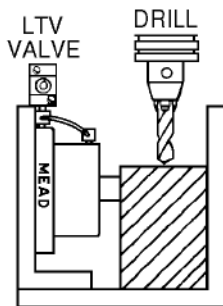
Bore	3/4"	1 1/8"	1 1/2"	2"	2 1/2"	3"	4"
Force @ 100 PSI (lbs.)	44	100	177	314	491	707	1257

NOTE: Pull force is approximately 10% less.

Mounting Options

Uniform base thickness makes mounting easy regardless of stroke.

Perfect For Tooling



Space Saver cylinders are ideal for use on drill fixtures and other automated tooling to provide compact, lightweight holding power.

Valving

Efficient 4-way LTV valves, shown on pages 26-27, are perfect as actuators of Space Saver cylinders. Valve hookup is made easy because the top cylinder port reindexes to any position.

Stroke Availability

Model	Bore	Stroke Lengths											
		1/8"	3/16"	1/4"	3/8"	1/2"	5/8"	3/4"	1"	1 1/2"	2"	2 1/2"	3"
SS-075	3/4"	X*	-	X*	X	X	X	X	X	X	X	-	-
SS-112	1 1/8"	X*	X*	X*	-	X	-	X	X	X	X	X	X
SS-150	1 1/2"	X*	-	X	-	X	-	X	X	X	X	X	X
SS-200	2"	X	-	X	-	X	-	X	X	X	X	X	X
SS-250	2 1/2"	X	-	X	-	X	-	X	X	X	X	X	X
SS-300	3"	X	-	X	-	X	-	X	X	X	X	X	X
SS-400	4"	X	-	X	-	X	-	X	X	X	X	X	X

* Includes special fitting

Note: To obtain a 1/8" or 3/16" stroke on 3/4" or 1 1/8" bore models, a 1/4" stroke cylinder is used and spacers are added.

Non-standard strokes subject to special machining charge.

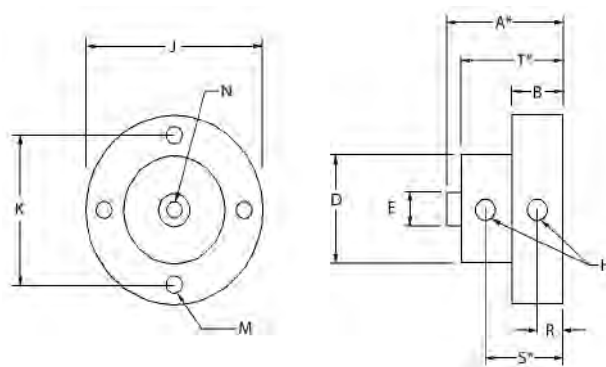
Full Power In Half The Space

Space Saver cylinders provide the power and stroke of standard cylinders in less than half the space. They are ideally suited for use in machinery where space and weight are at a premium. Best of all, Space Saver cylinders cost up to 50% less than standard models.

Built To Last

- Oil impregnated sintered bronze rod bearing and hard chrome plated piston rod work together to prolong cylinder life.
- Hard coated cylinder bore eliminates cylinder wall scoring.

Dimensions



NOTE: 3/4" - 2" Bore Models have (2) Mounting Holes. See Dimension M.

Bore	3/4"	1 1/8"	1 1/2"	2"	2 1/2"	3"	4"
A*	49/64	25/32	59/64	1 1/16	1 5/64	1 25/64	1 17/32
B	1/2	1/2	1/2	9/16	9/16	3/4	3/4
D	1	1 3/8	1 3/4	2 1/4	2 3/4	3 1/4	4 1/4
E	5/16	1/2	1/2	5/8	5/8	3/4	3/4
H	10-32	10-32	10-32	1/8 NPT	1/8 NPT	1/8 NPT	1/8 NPT
J	1 3/4	2 1/8	2 1/2	3 1/8	3 3/4	4 1/4	5 1/4
K	1 13/32	1 25/32	2 5/32	2 23/32	3 1/4	3 25/32	4 25/32
M	13/64 (2)	13/64 (2)	13/64 (2)	13/64 (2)	17/64 (4)	17/64 (4)	17/64 (4)
N	10-32	5/16-24	5/16-24	3/8-24	3/8-24	1/2-20	1/2-20
R	5/32	5/32	5/32	5/16	5/16	21/64	21/64
S*	25/64	25/64	1/2	11/16	11/16	59/64	1 3/64
T*	3/4	49/64	57/64	1 3/64	1 1/16	1 23/64	1 1/2

* Plus Stroke

Note: To obtain a 1/8" or 3/16" stroke on 3/4" or 1 1/8" bore models, a 1/4" stroke cylinder is used and spacers are added.

Specifications	
Pressure :	0-150 PSI Air Only
Temperature:	-40°F to 250°F (to 400°F with Viton)
Lubrication:	Petroleum base oil
Filtration:	40 Micron Minimum
Seals:	Buna N

Options & Ordering Information

When ordering, specify model number, stroke length, and Viton seal option if required.

Example: SS-150 x 1/4 - FB-VI